


K-30

Great for - fixed middle size projects, advertising banner installations

- connection type > conical connector
- tubes > 50x2 mm
- braces > 20x2 mm
- material > AlMgSi1
- > EN-AW 6082 T6

Circles & special structures available
 Powder coating to RAL reference 



2
point

2K-30

figures are based on use in vertical position and stabilised every 1 m

Span in m	4,00	6,00	8,00	10,00	12,00	14,00	16,00
point load in kg	567	387	286	224	182	152	128
deflection in mm	12,0	28,0	50,0	79,0	114,0	156,0	206,0
two point load in kg	385	290	214	168	137	114	96
deflection in mm	14,0	36,0	64,0	100,0	143,0	195,0	254,0
distrib. loading in kg/m	192	127	71	45	30	22	16
total distrib. loading in kg	768	762,0	568,0	450,0	360,0	308,0	256,0
deflection in mm	10,0	35,0	62,0	97,0	140,0	191,0	249,0

3K-30

figures are based on use in apex down orientation

Span in m	4,00	6,00	8,00	10,00	12,00	14,00	16,00
point load in kg	504	329	239	184	145	117	94
deflection in mm	11,0	24,0	43,0	69,0	100,0	138,0	182,0
two point load in kg	378	247	179	138	109	87	70
deflection in mm	14,0	31,0	55,0	85,0	123,0	167,0	218,0
distrib. loading in kg/m	252	110	60	37	24	17	12
total distrib. loading in kg	1008	658,0	480,0	370,0	288,0	238,0	192,0
deflection in mm	13,0	30,0	53,0	84,0	120,0	164,0	214,0

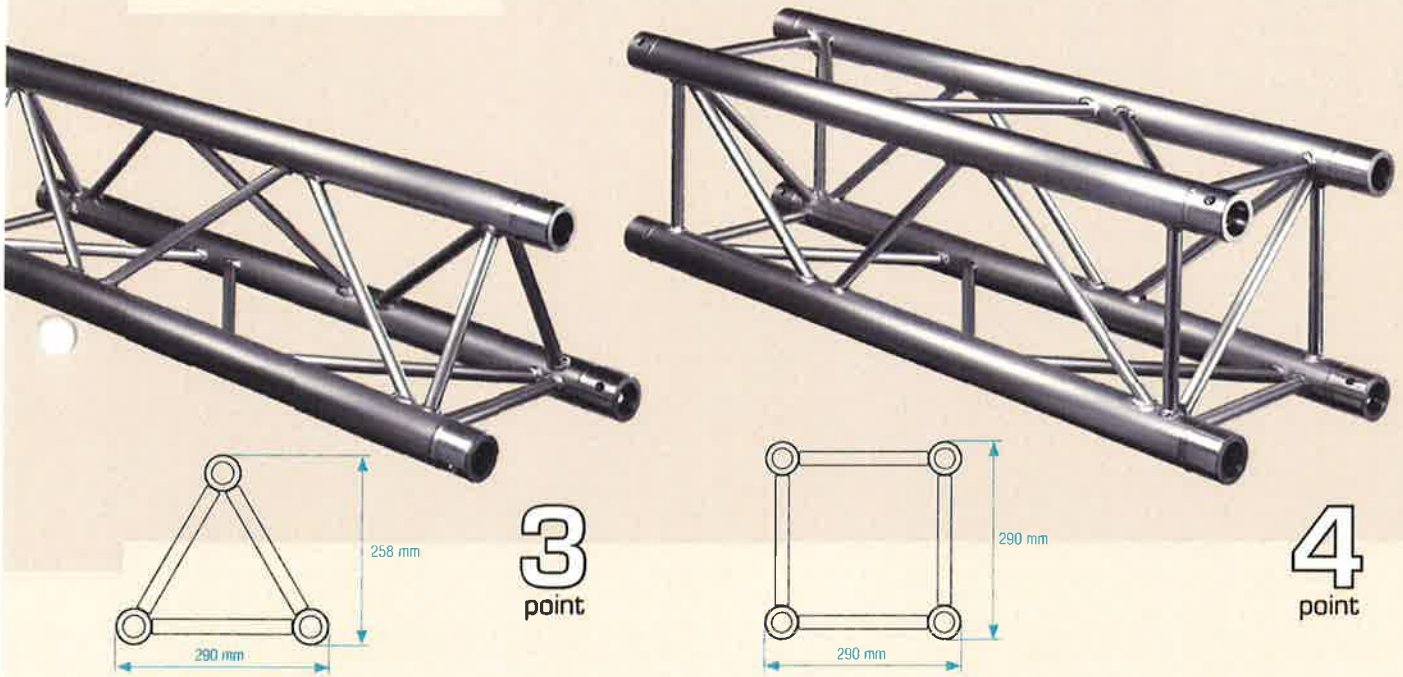
4K-30

Span in m	4,00	6,00	8,00	10,00	12,00	14,00	16,00
point load in kg	1171	771	568	444	359	297	248
deflection in mm	12,0	28,0	50,0	79,0	115,0	157,0	207,0
two point load in kg	852	578	426	333	269	222	186
deflection in mm	15,0	36,0	64,0	100,0	143,0	195,0	254,0
distrib. loading in kg/m	426	257	142	89	60	42	31
total distrib. loading in kg	1704	1542,0	1136,0	890,0	720,0	588,0	496,0
deflection in mm	11,0	35,0	62,0	97,0	140,0	191,0	249,0

STANDARD LENGTHS AVAILABLE AND WEIGHTS

m	0,50	1,00	1,50	2,00	2,50	3,00	4,00	5,00
2K-30 (kg)	1,50	3,35	5,00	6,00	7,50	9,00	12,00	15,00
3K-30 (kg)	2,25	4,50	6,80	9,00	11,25	13,50	18,00	22,50
4K-30 (kg)	2,95	5,90	8,90	11,80	14,75	17,70	23,60	29,50

connection material (pins/clips/cons) and packaging not included in above weights



Principal of connection



16 m
max. span

135%
4K-30 can carry 135%
more than 3K-30

771 kg
CPL in 6 m
of 4K-30